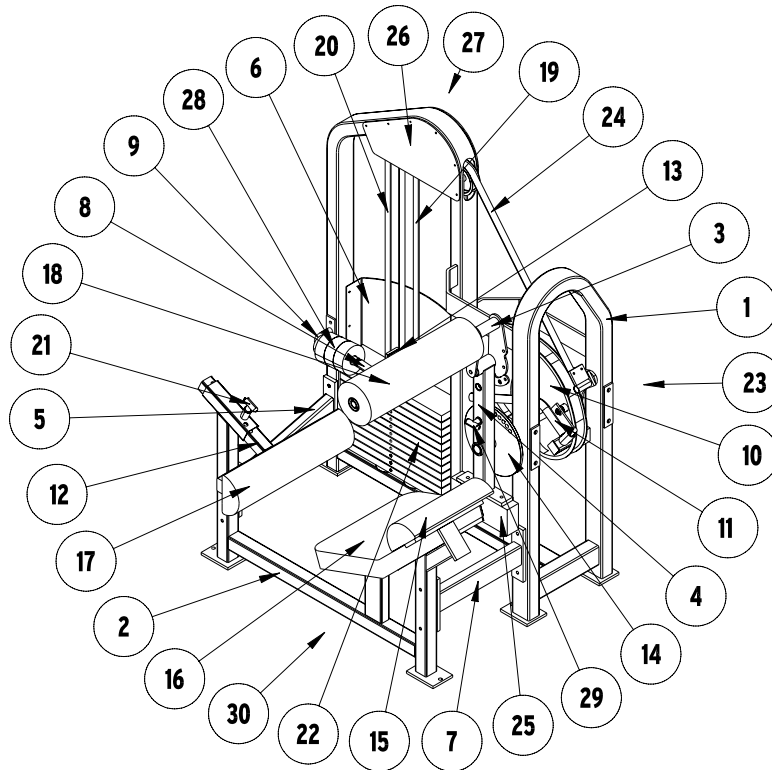
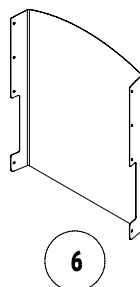
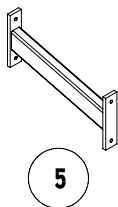
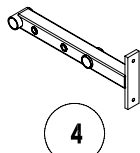
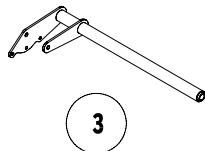
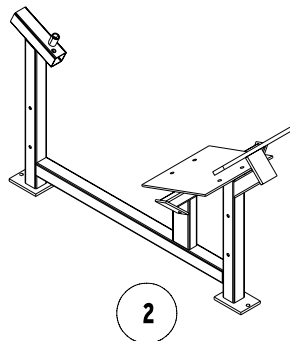
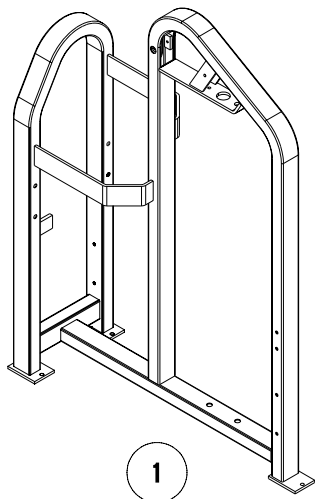


S-110 SELECTORIZED LOW BACK



ITEM	PART DESCRIPTION	QT	ITEM	PART DESCRIPTION	QT	ITEM	PART DESCRIPTION	QT
1	WELD,FRM,WEIGHT S-110	1	13	ASSY, TOP PLATE, 12 STEM	1	25	CWEIGHT, TAP/VINYL DIP, 18# BLK	1
2	WELD,FRM,EXERCISE P/S-110	1	14	PLATE, RANGE, 8 ADJ/HUB, S-110	1	26	DECAL, INSTRUCTIONAL, S-110	1
3	WELD, ARM, EXERCISE S/K-110	1	15	UPH, PAD, HALF MOON 6X14	1	27	DECAL, LOGO, STRIVE, LEFT	1
4	WELD, ARM, SUPPORT S-110	1	16	UPH, PAD, SEAT/THIGH 13.25X18.25	1	28	WGHT, 5# ADDON, 4.75 ODx1.75 BLK	3
5	WELD, CROSS BRACE 21.75	1	17	UPH, PAD, HALF MOON 6X20.5	1	29	ASSY, POPPER PIN, 0.5X2.13	1
6	BENT, SHT, WEIGHT SHIELD	1	18	UPH, PAD, ROLLER 6 ODx20	1	30	ASSY, SEAT BELT, RETRACTABLE	1
7	WELD, CROSS BRACE 15.75	1	19	*CP075 , TAPPED , 49.50*	1			
8	ASSY, ADD-ON HOLDER, TPD	1	20	*CP075 , GROOVED , 49.50*	1			
9	ASSY, ADD-ON HOLDER, WFD	1	21	ASSY, POPPER PIN, 0.5x1.5	1			
10	ASSY, CAM, BELT, LRG, STD	1	22	ASSY, WGHT, 20# STANDARD, 4x19	12			
11	ASSY, HANDLE, CAM, DOWN	1	23	BEAR, PILLOW, 1.25 ID	1			
12	WELD, ADJ, KNEE PAD MNT P/S-110	1	24	BELT, FLAT, 0.094x1x108"	1			

