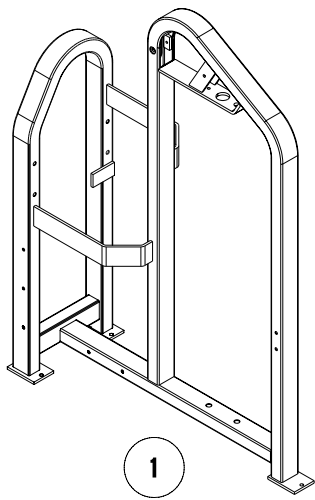
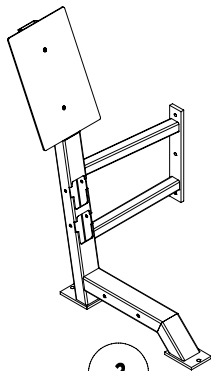


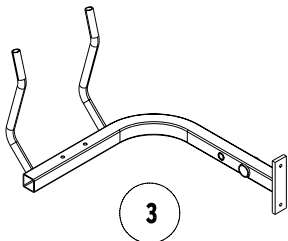
# S-109 SELECTORIZED ABDOMINAL CRUNCH



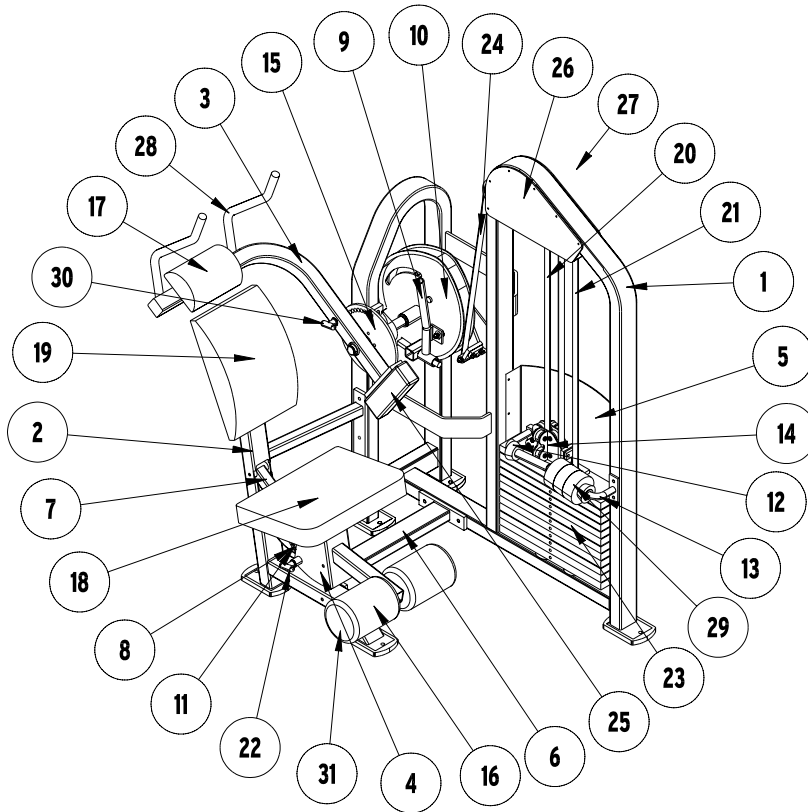
1



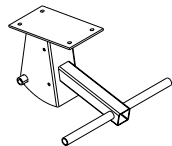
2



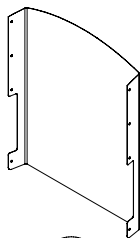
3



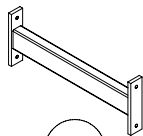
ITEM	PART DESCRIPTION	QT	ITEM	PART DESCRIPTION	QT	ITEM	PART DESCRIPTION	QT
1	WELD,FRM,WEIGHT S-109	1	13	ASSY,ADD-ON HOLDER,WFU	1	25	CWEIGHT,TAP/VINYL DIP,18# BLK	1
2	WELD,FRM,EXERCISE S-109	1	14	ASSY,TOP PLATE,12 STEM	1	26	DECAL,INSTRUCTIONAL,S-109	1
3	WELD,ARM,EXERCISE S-109	1	15	PLATE,RANGE,8 ADJ/HUB,S-109	1	27	DECAL,LOGO,STRIVE,RIGHT	1
4	WELD,ADJ,SEAT S-109	1	16	UPH,PAD,ROLLER 5 ODX8	2	28	RUB,GRIP,1.05 IDx11.50 BLK	2
5	BENT,SHT,WEIGHT SHIELD	1	17	UPH,PAD,HALF MOON 6X8.5	1	29	WGHT,5#ADDON,4.75 ODX1.75BLK	3
6	WELD,CROSS BRACE 21.75	1	18	UPH,PAD,SEAT/THIGH13.25X18.25	1	30	ASSY,POPPER PIN,0.5x2.13	1
7	WELD,LINK,SEAT,TOP LEFT	1	19	UPH,PAD,BACK REST, ARCH	1	31	PLAS,CAP,.82 IDX 2.5 OD BLK	2
8	WELD,LINK,SEAT,BOT LEFT	1	20	*CP075 ,TAPPED ,49.50*	1			
9	ASSY,HANDLE,CAM,UP	1	21	*CP075 ,GROOVED ,49.50*	1			
10	ASSY,CAM,40DEG	1	22	ASSY,POPPER PIN,0.5x1.5	1			
11	PLATE,RANGE,SEAT,STAINL	1	23	ASSY,WGHT,20# STANDARD,4x19	12			
12	ASSY,ADD-ON HOLDER,TPU	1	24	BELT,FLAT,0.094x1x108"	1			



4



5



6



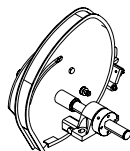
7



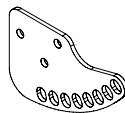
8



9



10



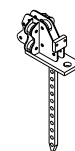
11



12



13



14



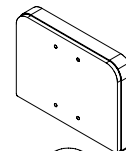
15



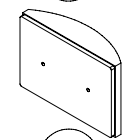
16



17



18



19