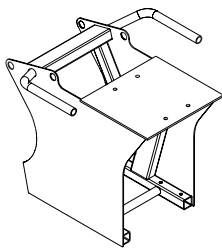
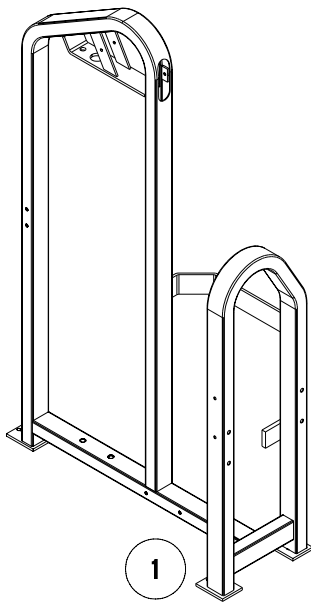
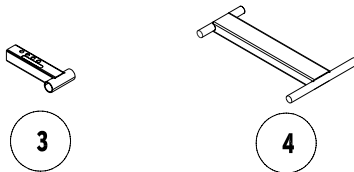


S-108 SELECTORIZED LEG PRESS

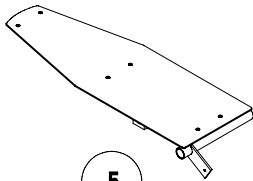


2

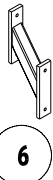


3

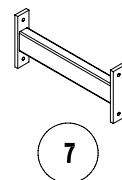
4



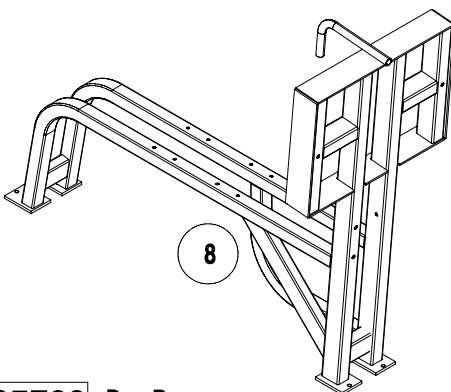
5



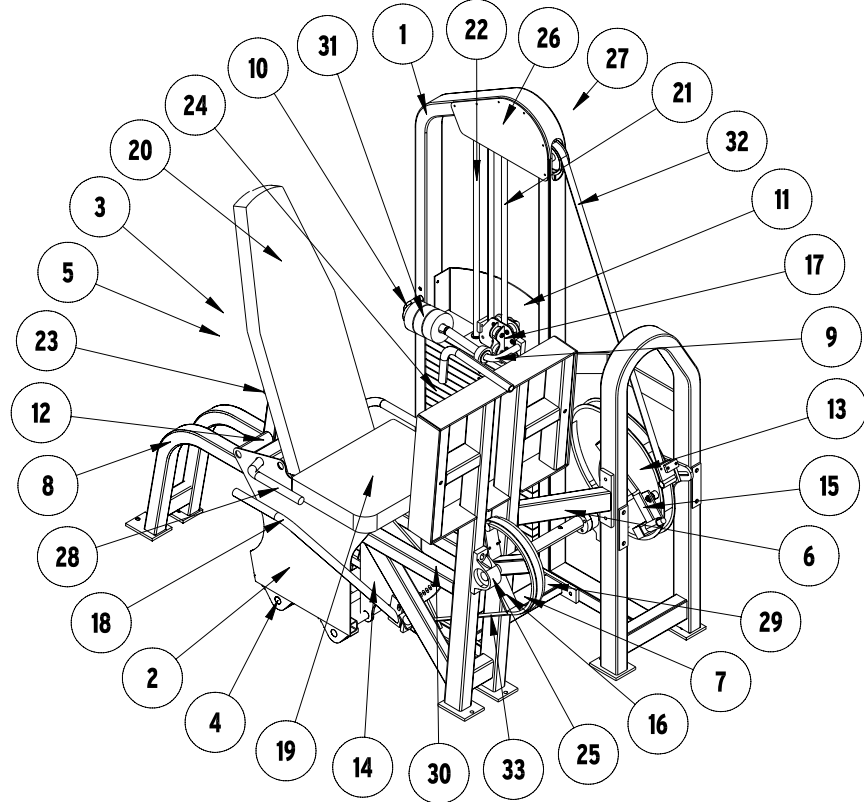
6



7



8



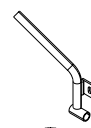
ITEM	PART DESCRIPTION	QT	ITEM	PART DESCRIPTION	QT	ITEM	PART DESCRIPTION	QT
1	WELD,FRM,WEIGHT S-108	1	14	ASSY,LINK,RANGE ADJ S-108	1	27	DECAL,LOGO,STRIVE,LEFT	1
2	WELD,FRM,CARRIAGE S-108	1	15	ASSY,HANDLE,CAM,DOWN	1	28	RUB,GRIP,1.05 IDx6 BLK	3
3	ASSY,CHRM,ADJ,BACK PAD P-108	1	16	WELD,LINK,CAM S-108	1	29	TAPE,TRACTION,5x14 BLK	1
4	WELD,LINK,S-108 BACK	1	17	ASSY,TOP PLATE,24 STEM	1	30	TAPE,TRACTION,1.75x12 BLK	2
5	WELD,BACK REST,S-108	1	18	ASSY,HANDLE,ADJ S-108	1	31	WGHT,5#ADDON,4.75 ODx1.75BLK	3
6	WELD,CROSS BRACE 11.5 30DEG	1	19	UPH,PAD,SEAT/THIGH13.25X18.25	1	32	BELT,FLAT,0.094x1x108"	1.5
7	WELD,CROSS BRACE 17.5	1	20	UPH,PAD,BACK 13.25X36.75	1			
8	WELD,FRM,EXERCISE S-108	1	21	*CP075 ,TAPPED ,61.25*	1			
9	ASSY,ADD-ON HOLDER,TPD	1	22	*CP075 ,GROOVED ,61.25*	1			
10	ASSY,ADD-ON HOLDER,WFD	1	23	ASSY,POPPER PIN,0.5x1.5	1			
11	BENT,SHT,WEIGHT SHIELD	1	24	ASSY,WGHT,20# STANDARD,4x19	24			
12	WELD,LINK,ADJ S-108	1	25	BEAR,PILLOW,1.25 ID	2			
13	ASSY,CAM,BELT,LRG,STD	1	26	DECAL,INSTRUCTIONAL,S-108	1			



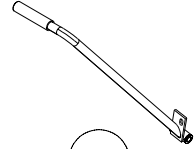
9



12



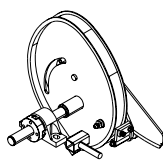
15



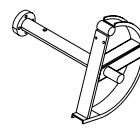
18



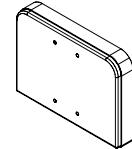
10



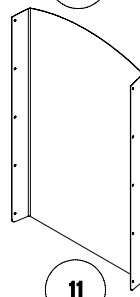
13



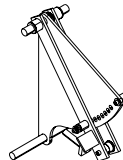
16



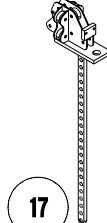
19



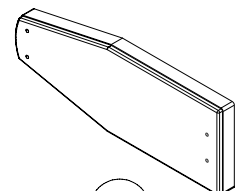
11



14



17



20