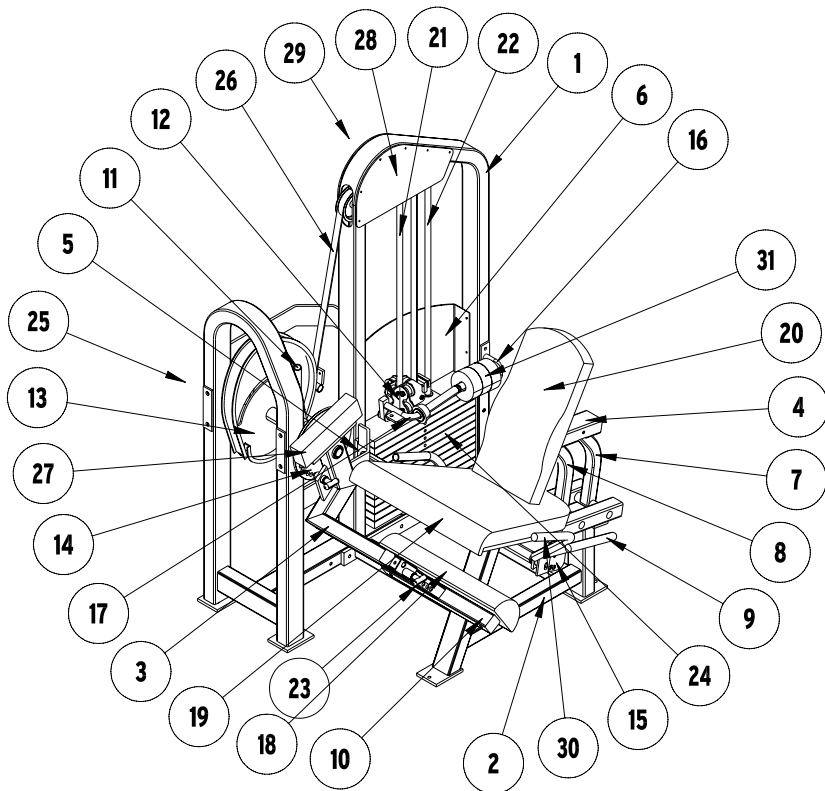
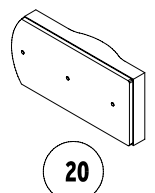
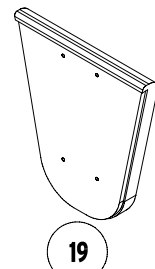
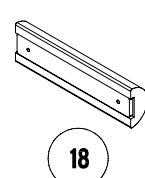
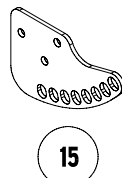
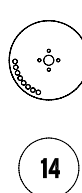
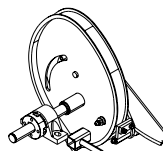
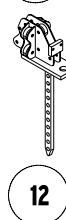
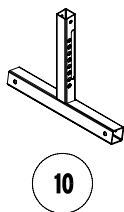
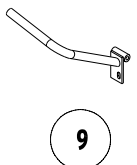
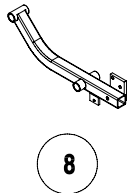
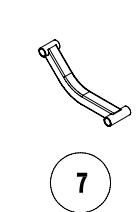
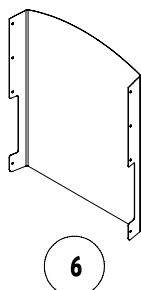
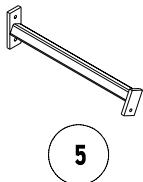
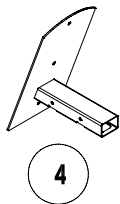
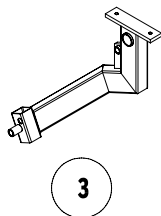
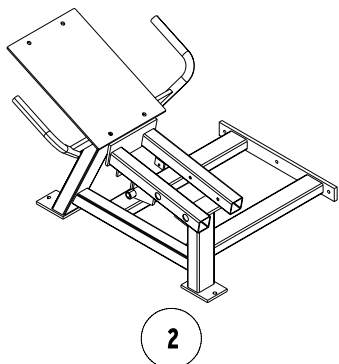
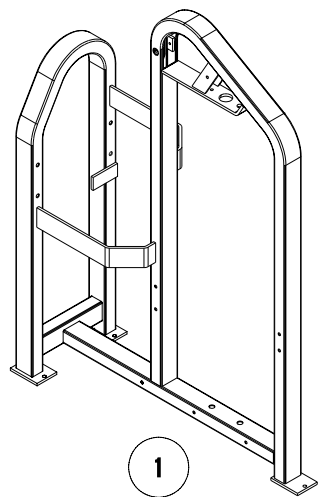


S-105 SELECTORIZED LEG EXTENSION



ITEM	PART DESCRIPTION	QT	ITEM	PART DESCRIPTION	QT	ITEM	PART DESCRIPTION	QT
1	WELD,FRM,WEIGHT S-105	1	13	ASSY,CAM,BELT,LRG,STD	1	25	BEAR,PILLOW,1.25 ID	1
2	WELD,FRM,EXERCISE S-105	1	14	PLATE,RANGE,8ADJ/HUB,S-105/10	1	26	BELT,FLAT,0.094x1x108"	1
3	WELD,ARM,EXERCISE S-105	1	15	PLATE,RANGE,SEAT,STAINL	1	27	CWEIGHT,TAP/VINYL DIP,18# BLK	1
4	WELD,BACK REST S-105	1	16	ASSY,ADD-ON HOLDER,WFU	1	28	DECAL,INSTRUCTIONAL,S-105	1
5	WELD,CROSS BRACE S-105	1	17	ASSY,ADD-ON HOLDER,TPU	1	29	DECAL,LOGO,STRIVE,RIGHT	1
6	BENT,SHT,WEIGHT SHIELD	1	18	UPH,PAD,HALF MOON 6X20.5	1	30	RUB,GRIP,1.05 IDx6 BLK	2
7	WELD,LINK,SEAT,BACK S-105/24	1	19	UPH,PAD,SEAT 22.5X25.25 TAPER	1	31	WGHT,5#ADDON,4.75 ODx1.75BLK	3
8	WELD,LINK,SEAT,FRONT S-105	1	20	UPH,PAD,BAK10.25X21.25LUMBAR	1			
9	ASSY,HANDLE,ADJ S-105	1	21	*CP075 ,TAPPED ,49.50*	1			
10	WELD,ADJ,LEG PAD MNT P/S-105	1	22	*CP075 ,GROOVED ,49.50*	1			
11	ASSY,HANDLE,CAM,UP	1	23	ASSY,POPPER PIN,0.5x1.5	2			
12	ASSY,TOP PLATE,12 STEM	1	24	ASSY,WGHT,20# STANDARD,4x19	12			