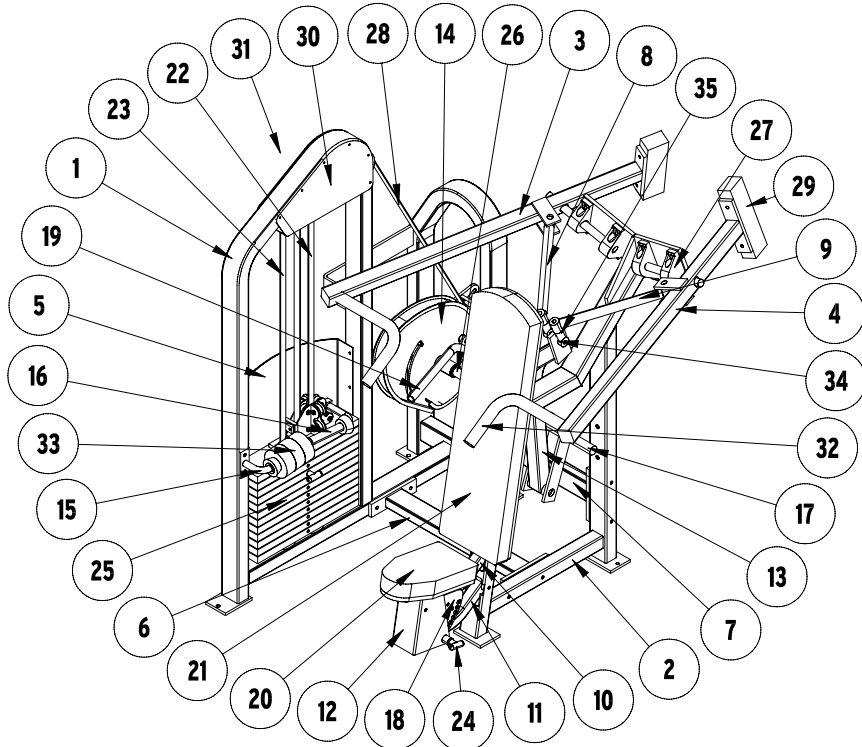
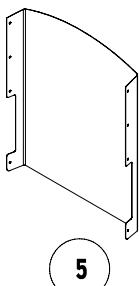
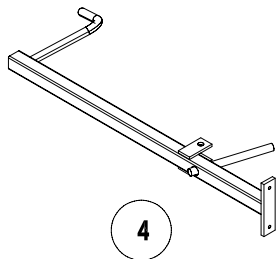
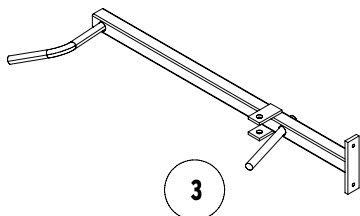
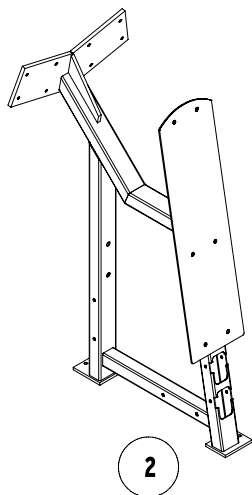
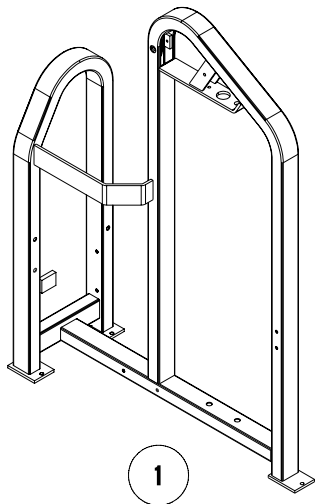


S-103 SELECTORIZED SHOULDER PRESS



ITEM	PART DESCRIPTION	QT	ITEM	PART DESCRIPTION	QT	ITEM	PART DESCRIPTION	QT
1	WELD,FRM,WEIGHT S-103	1	13	WELD,LINK,DRIVE,S-103	1	25	ASSY,WGHT,20# STANDARD,4x19	12
2	WELD,FRM,EXERCISE S-103	1	14	ASSY,CAM,BELT,LRG,STD	1	26	BEAR,PILLOW,1.25 ID	2
3	WELD,ARM,EXERCISE (R) S-103	1	15	ASSY,ADD-ON HOLDER,WFD	1	27	BEAR,PILLOW,NYLON,1 ID	4
4	WELD,ARM,EXERCISE (L) S-103	1	16	ASSY,ADD-ON HOLDER,TPD	1	28	BELT,FLAT,0.094x1x108"	1
5	BENT,SHT,WEIGHT SHIELD	1	17	WELD,LEVER,CAM S-103	1	29	CWEIGHT,TAP/VINYL DIP,18# BLK	2
6	WELD,CROSS BRACE 24.00	1	18	PLATE,RANGE,SEAT,STAINL	1	30	DECAL,INSTRUCTIONAL,S-103	1
7	WELD,CROSS BRACE 17.5	1	19	ASSY,HANDLE,CAM,DOWN	1	31	DECAL,LOGO,STRIVE,LEFT	1
8	WELD,LEVER,DRIVE,(R)S-103	1	20	UPH,PAD,SEAT/CHEST 7.25X12.75	1	32	RUB,GRIP,1.50 IDx17.00	2
9	WELD,LEVER,DRIVE,(L)S-103	1	21	UPH,PAD,BACK 10.25X36.25	1	33	WGHT,5# ADON,4.75 ODx1.75 BLK	3
10	WELD,LINK,SEAT,TOP LEFT	1	22	*CP075 ,TAPPED ,49.50*	1	34	SPACER,BOLT,0.5 IDx1.13 BLK	2
11	WELD,LINK,SEAT,BOT LEFT	1	23	*CP075 ,GROOVED ,49.50*	1	35	BEAR,BALL JOINT 0.50-20 FEMA	2
12	WELD,SEAT,S/K-02/03/29 S-20/17	1	24	ASSY,POPPER PIN,0.5x1.5	1			

