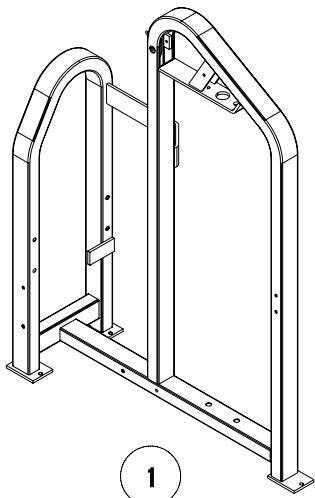
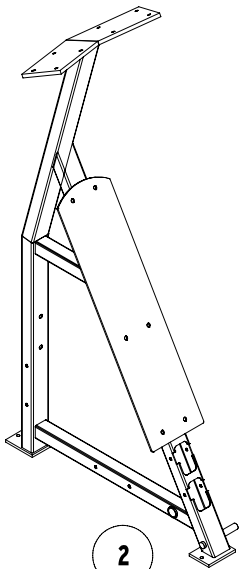


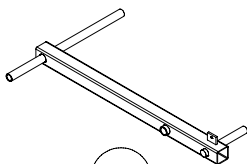
S-102 SELECTORIZED CHEST PRESS



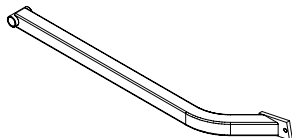
1



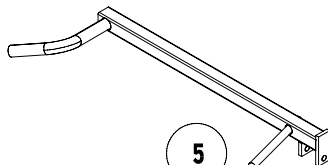
2



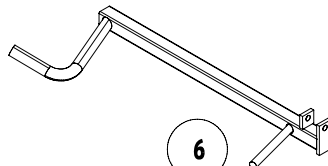
3



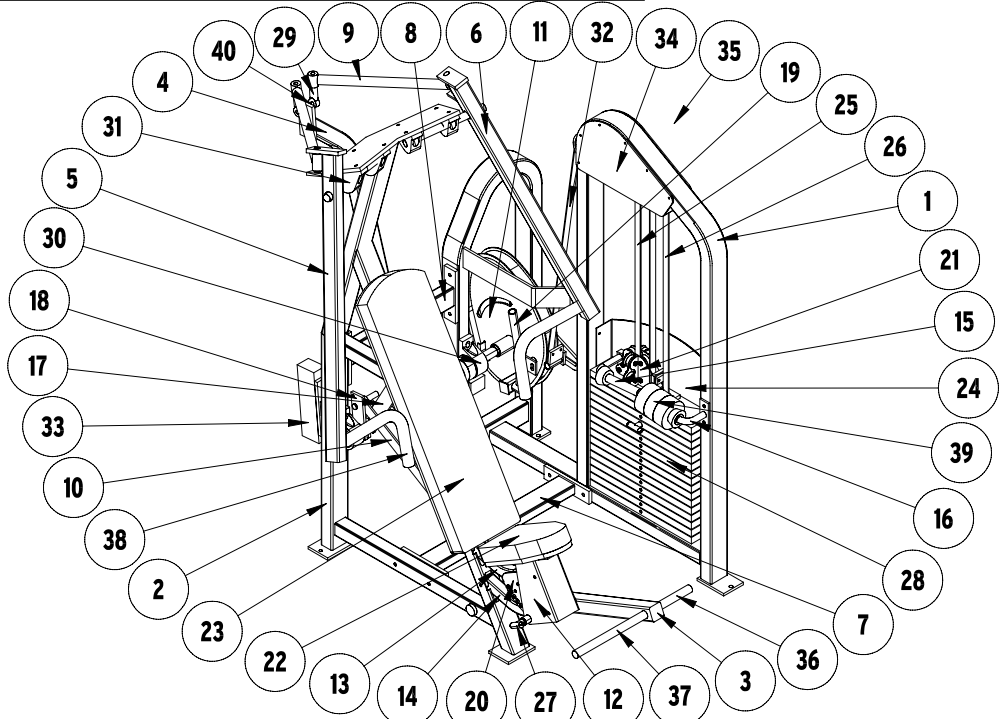
4



5



6



ITEM	PART DESCRIPTION	QT	ITEM	PART DESCRIPTION	QT	ITEM	PART DESCRIPTION	QT
1	WELD,FRM,WEIGHT S-102/20/28	1	15	ASSY,ADD-ON HOLDER,TPU	1	29	BEAR,BALL JOINT 0.50-20	2
2	WELD,FRM,EXERCISE S-102	1	16	ASSY,ADD-ON HOLDER,WFU	1	30	BEAR,PILLOW,1.25 ID	2
3	WELD,FOOT ASIST S/KT-102/S-120	1	17	WELD,LINK,CAM S-102	1	31	BEAR,PILLOW,NYLON,1 ID	4
4	WELD,LINK,DRIVE,S-102	1	18	ASSY,FOOT ASIST CW,S-102/20	1	32	BELT,FLAT,0.094x1x108"	1
5	WELD,ARM,EXERCISE (R) S-102	1	19	ASSY,HANDLE,CAM,UP	1	33	CWEIGHT,TAP/VINYL DIP,18# BLK	1
6	WELD,ARM,EXERCISE (L) S-102	1	20	PLATE,RANGE,SEAT,STAINL	1	34	DECAL,INSTRUCTIONAL,S-102	1
7	WELD,CROSS BRACE 26.00"	1	21	ASSY,TOP PLATE,17 STEM	1	35	DECAL,LOGO,STRIVE,RIGHT	1
8	WELD,CROSS BRACE 19.50"	1	22	UPH,PAD,SEAT/CHEST 7.25X12.75	1	36	RUB,GRIP,1.05 IDx6.5 BLK	1
9	WELD,LEVER,DRIVE,S-102/20	2	23	UPH,PAD,BACK 10.25X36.25	1	37	RUB,GRIP,1.05 IDx11.5 BL	1
10	WELD,LINK,FOOT ASIST,S-102/20	1	24	BENT,SHT,WEIGHT SHIELD STD	1	38	RUB,GRIP,1.50 IDx17.00	2
11	ASSY,CAM,BELT,LRG,STD	1	25	*CP075 ,TAPPED ,49.50*	1	39	WGHT,5# ADON,4.75 ODx1.75 BLK	3
12	WELD,SEAT,S/K-02/03/29 S-20/17	1	26	*CP075 ,GROOVED ,49.50*	1	40	SPACER,BOLT,0.5 IDx1.13 BLK	2
13	WELD,LINK,SEAT,TOP LEFT	1	27	ASSY,POPPER PIN,0.5x1.5	1			
14	WELD,LINK,SEAT,BOT LEFT	1	28	ASSY,WGHT,20# STANDARD,4x19	17			

