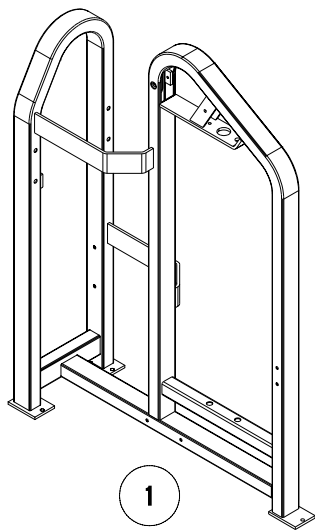
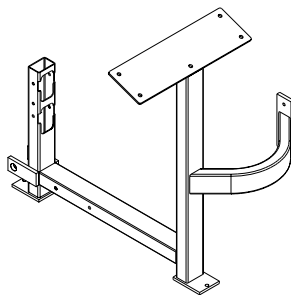


S-117 SELECTORIZED ARM EXTENSION



1



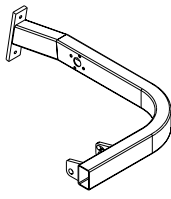
2



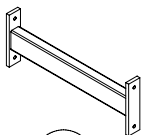
3



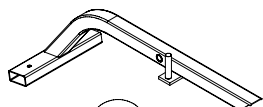
4



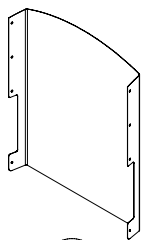
5



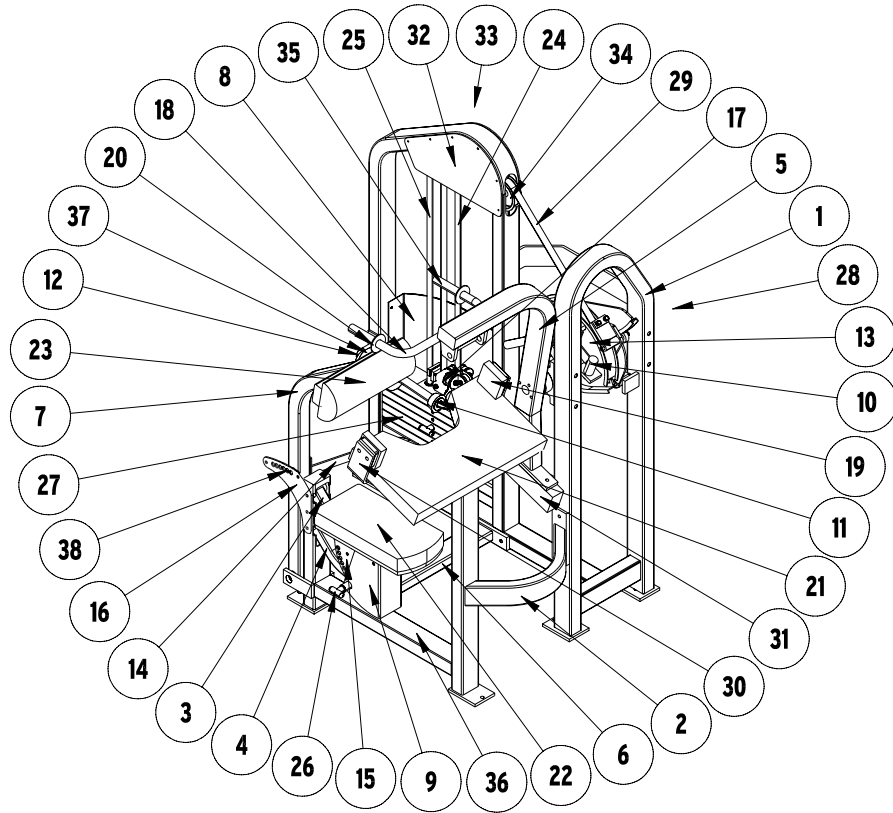
6



7



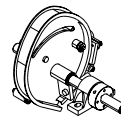
8



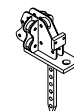
ITEM	PART DESCRIPTION	QT	ITEM	PART DESCRIPTION	QT	ITEM	PART DESCRIPTION	QT
1	WELD,FRM,WEIGHT S-117	1	14	ASSY,HANDLE,ADJ S-117	1	27	ASSY,WGHT,20# STANDARD, 4x19	7
2	WELD,FRM,EXERCISE S-117	1	15	PLATE,RANGE,SEAT,STAINLESS	1	28	BEAR,PILLOW,1.25 ID	1
3	WELD,LINK,SEAT,TOP LEFT	1	16	PLATE,STAINLESS,RANGE,S-117	1	29	BELT,FLAT,0.094x1x108"	1
4	WELD,LINK,SEAT,BOT LEFT	1	17	ASSY,TOP PLATE,7 STEM	1	30	BENT,BAR,UPH MOUNT S-117	2
5	WELD,ARM,EXERCISE S-117	1	18	ASSY,HANDLE P/S-117	1	31	CWEIGHT,TAP/VINYL DIP,18 BLK	1
6	WELD,CROSS BRACE 21.75	1	19	UPH,PAD,3X3	2	32	DECAL,INSTRUCTIONAL,S-117	1
7	WELD,BACK REST S-117	1	20	UPH,PAD,HAND 4.63 OD	2	33	DECAL,LOGO,STRIVE,LEFT	1
8	BENT,SHT,WEIGHT SHIELD	1	21	UPH,PAD,ARM REST S-117	1	34	PULLEY,BELT,0.38 IDx4.5 OD BLK	2
9	WELD,SEAT,S/K-02/03/29 S-20/17	1	22	UPH,PAD,SEAT/BACK 8.25x16.25	1	35	RUB,GRIP,1.05 IDx6 BLK	2
10	ASSY,HANDLE,CAM MED LEFT	1	23	UPH,PAD,HALF MOON 6x14	1	36	TAPE,TRACTION,2.5x12.5 BLK	1
11	ASSY,ADD-ON HOLDER,TPD	1	24	*CP075 ,TAPPED , 44.00*	1	37	WGHT,5#ADDON,4.75 ODx1.75BLK	3
12	ASSY,ADD-ON HOLDER,WFD	1	25	*CP075 ,GROOVED , 44.00*	1	38	STUD,POPPER PIN 0.5x2.13 EXT	1
13	ASSY,CAM,SMART,MED STD	1	26	ASSY,POPPER PIN,0.5x1.5	1			



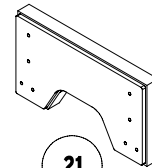
9



13



17



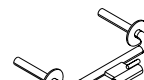
21



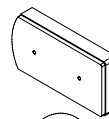
10



14



18



22



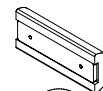
11



15



19



23



12



16



20